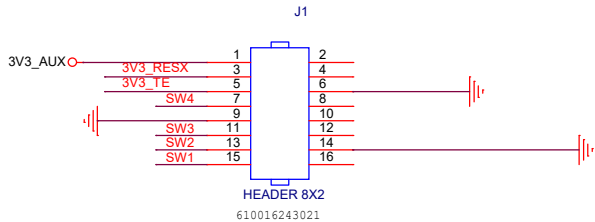
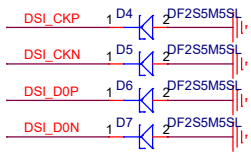
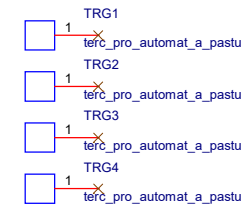
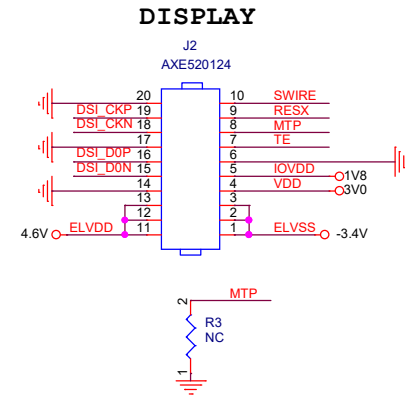
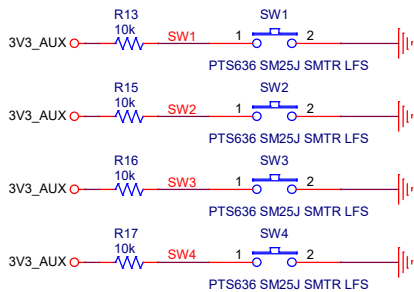
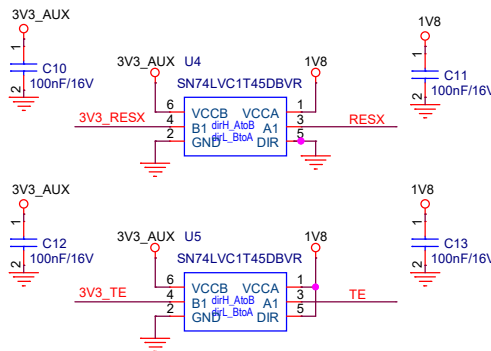
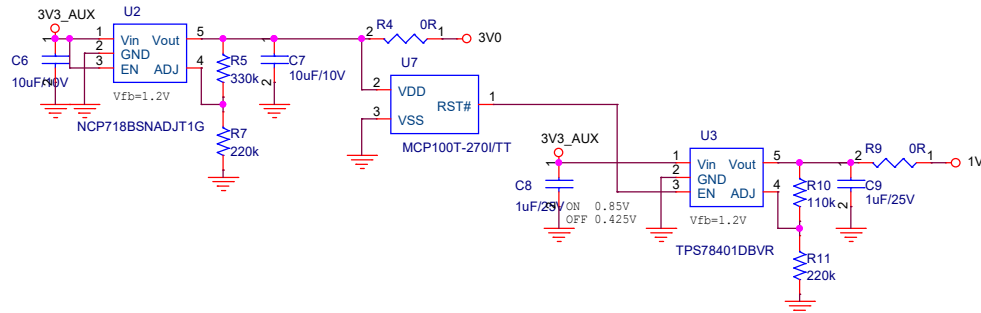
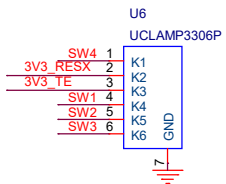


1-2314820-4



610016243021



Title		
C15X DSI display		
Size	Document Number	Rev
B	0923-0003	A
Date:	Thursday, October 22, 2020	Sheet 1 of 1