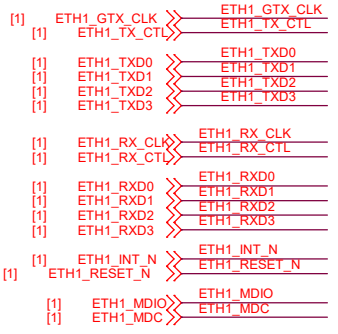
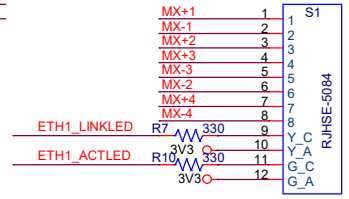
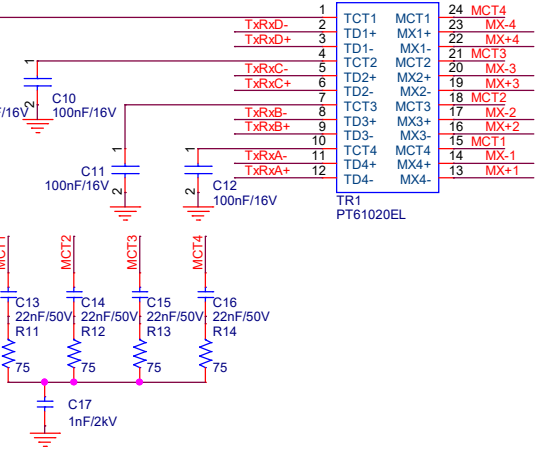
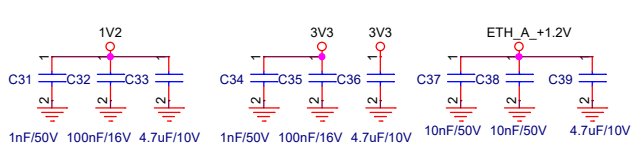
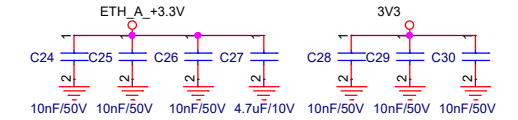
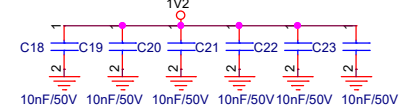
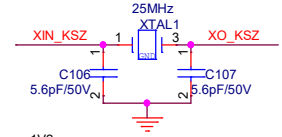
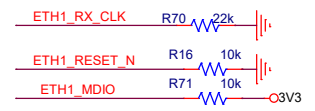
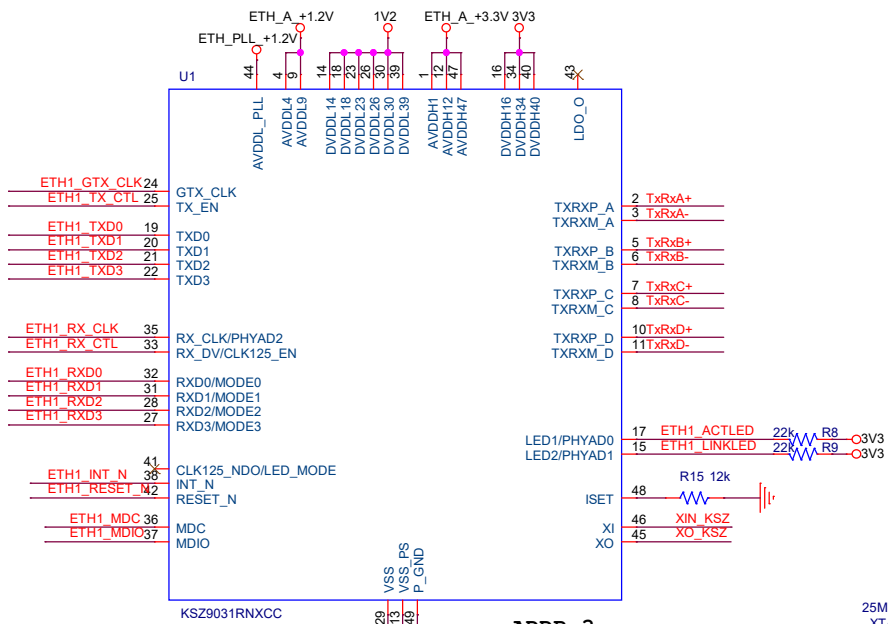
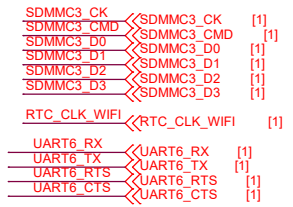
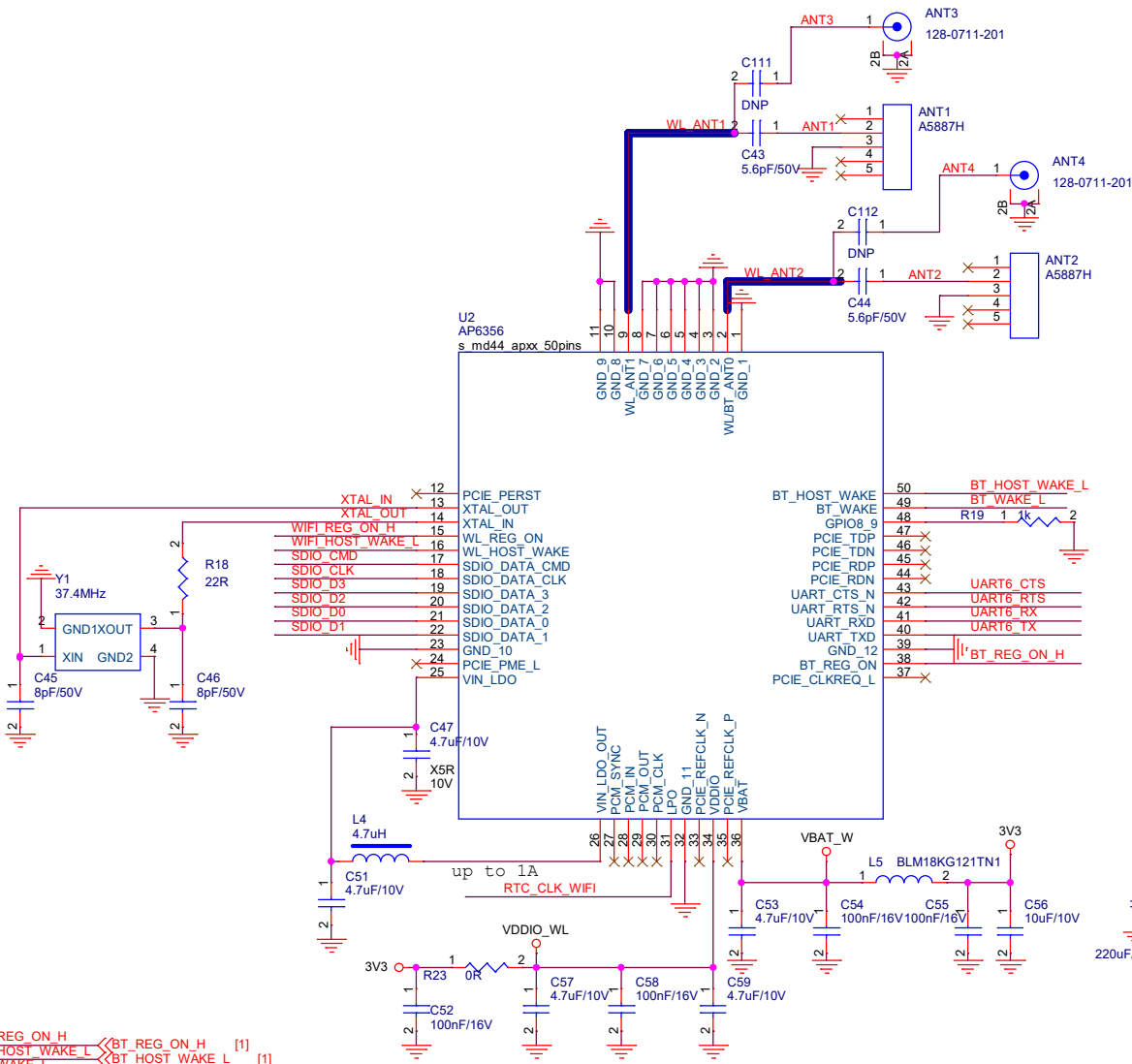
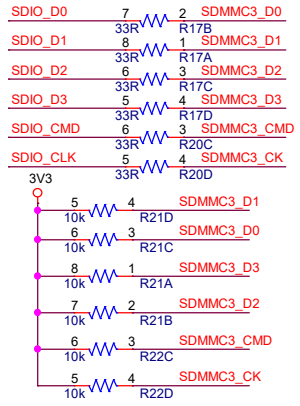


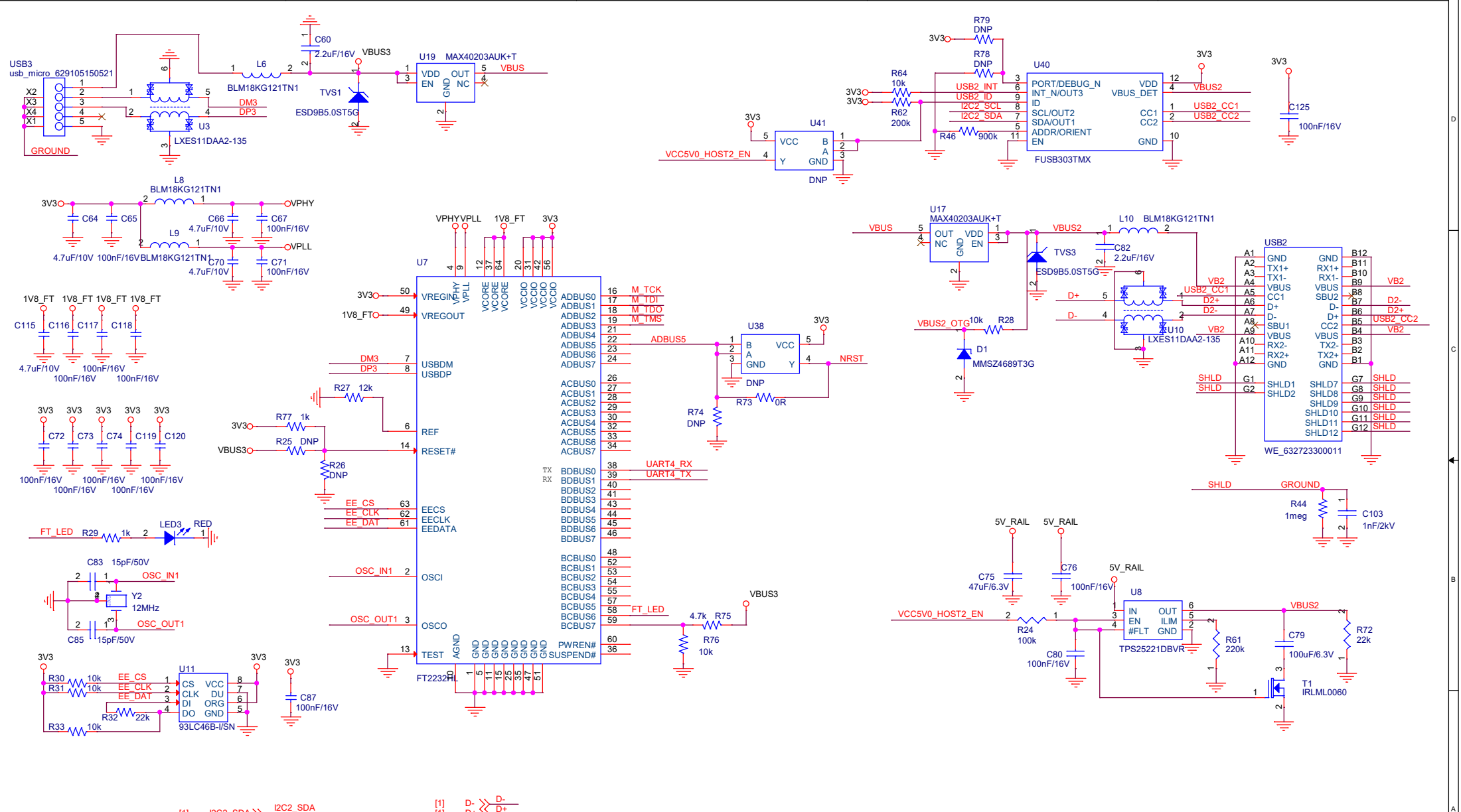
Title		
C15X eval module		
Size	Document Number	Rev
B	0923-0002	C
Date:	Thursday, October 22, 2020	Sheet 1 of 5



Title		
C15X eval module		
Size	Document Number	Rev
B	0923-0002	C
Date:	Thursday, October 22, 2020	Sheet 2 of 5

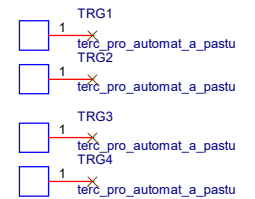
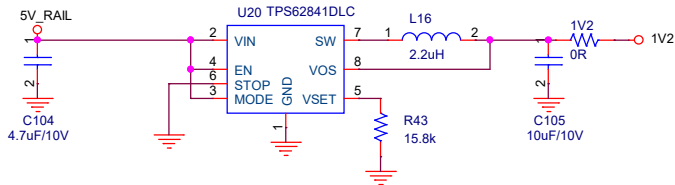
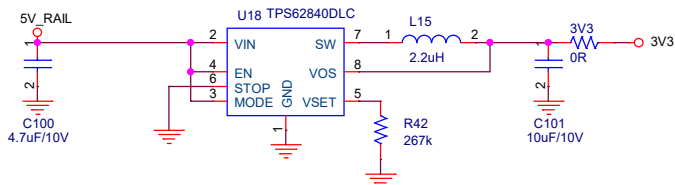
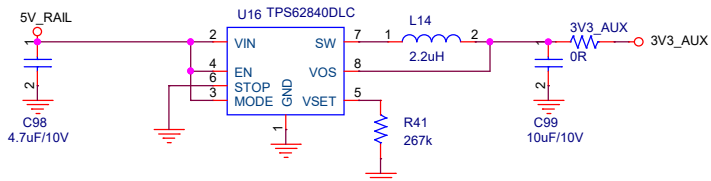
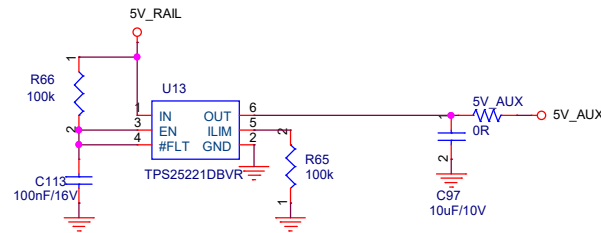
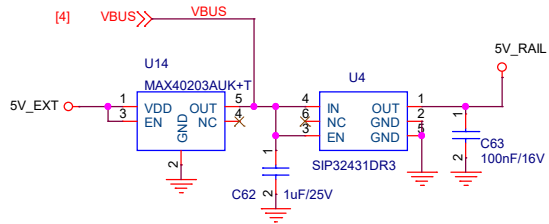
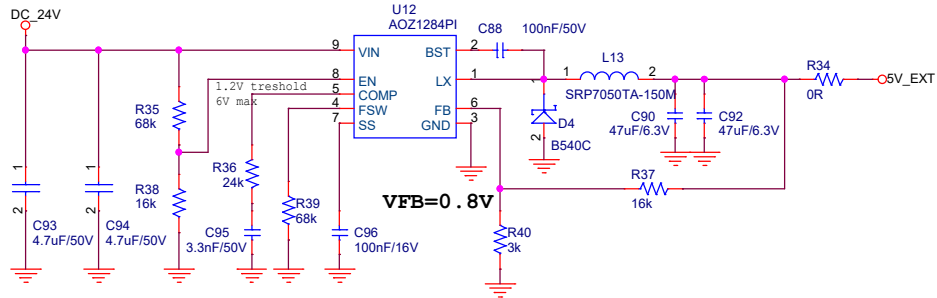
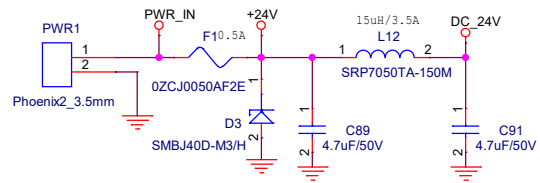


Title		
C15X eval module		
Size	Document Number	Rev
B	0923-0002	C
Date:	Thursday, October 22, 2020	Sheet 3 of 5



- [1] I2C2\_SDA >> I2C2\_SDA
- [1] I2C2\_SCL >> I2C2\_SCL
- [5] VBUS >> VBUS
- [1] D- >> D-
- [1] D+ >> D+
- [1] M\_TCK >> M\_TCK
- [1] M\_TDI >> M\_TDI
- [1] M\_TDO >> M\_TDO
- [1] M\_TMS >> M\_TMS
- [1] NRST >> NRST
- [1] [1] UART4\_TX >> UART4\_TX
- [1] [1] UART4\_RX >> UART4\_RX
- [1] USB2\_INT >> USB2\_INT
- [1] VBUS2\_OTG >> VBUS2\_OTG
- [1] VCC5V0\_HOST2\_EN >> VCC5V0\_HOST2\_EN
- [1] USB2\_ID >> USB2\_ID

Title		
C15X eval module		
Size	Document Number	Rev
B	0923-0002	C
Date:	Thursday, October 22, 2020	Sheet 4 of 5



Title		
C15X eval module		
Size	Document Number	Rev
B	0923-0002	C
Date:	Thursday, October 22, 2020	Sheet 5 of 5