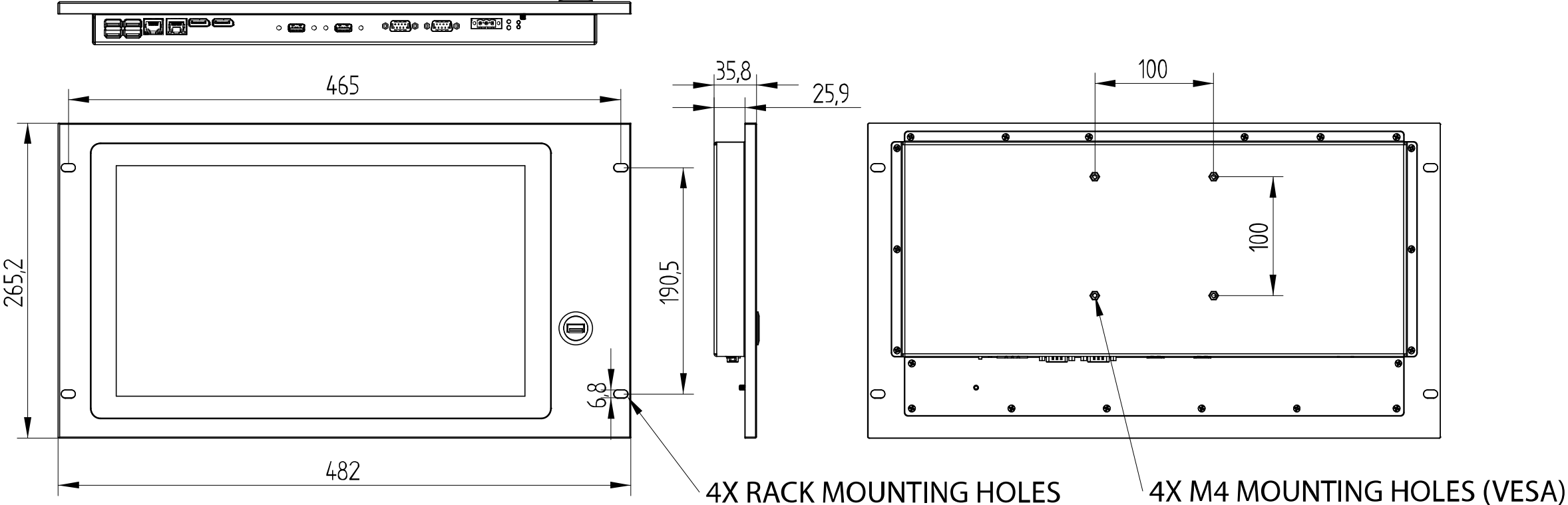


CPU: Intel J4005 (Option: J5005, Core i3,i5,i7)
4x USB2.0, 2xUSB3.1, 2xRS232
2x 10/100/1000 LAN

CPU: Intel J4005 (Option: J5005, Core i3,i5,i7)
Standard: 120G M.2 disk, 4GB RAM
Windows 10 IOT Enterprise or Linux
Option: embedded UPS

15.6" Full HD capacitive touch screen 1920x1080
VESA MOUNT (100x100mm)
24V/1.5A power, passive design

CPU: Rockchip RK3399 (6 core, 2GHz)
1x USB2.0, 2x USB3.0
4x 10/100/1000 LAN
32GB High speed eMMC
4GB Dual channel DDR3
M.2 disk, WiFi
Linux / Android
embedded UPS
Option: CAN, RS232, RS485, Analog, Digital In/Out



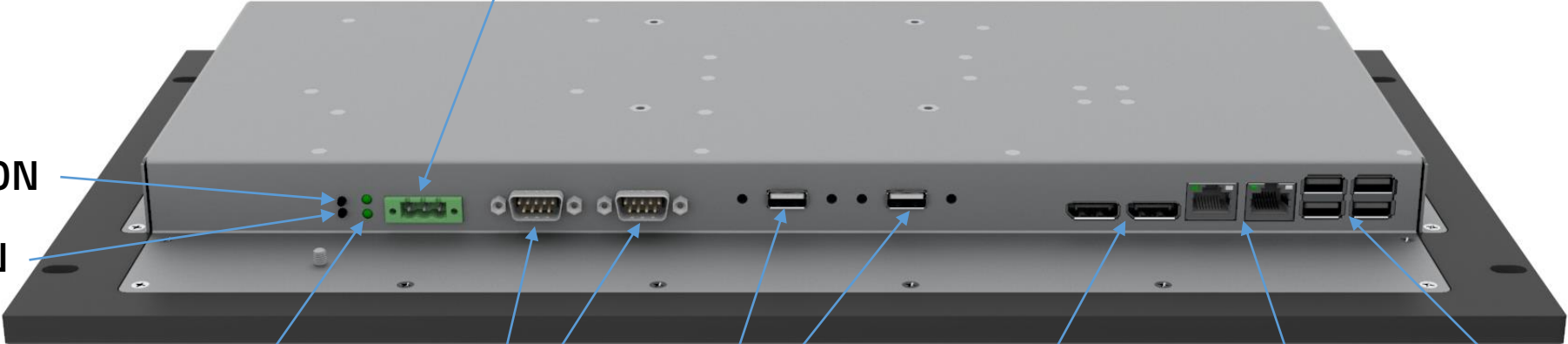
4X RACK MOUNTING HOLES

4X M4 MOUNTING HOLES (VESA)

POWER CONNECTOR (+ | CHASIS | -), mating connector: Phoenix PN# 1777992

POWER BUTTON

RESETBUTTON



2X LED (PWR, HDD)

2X RS232

2X USB 3.1

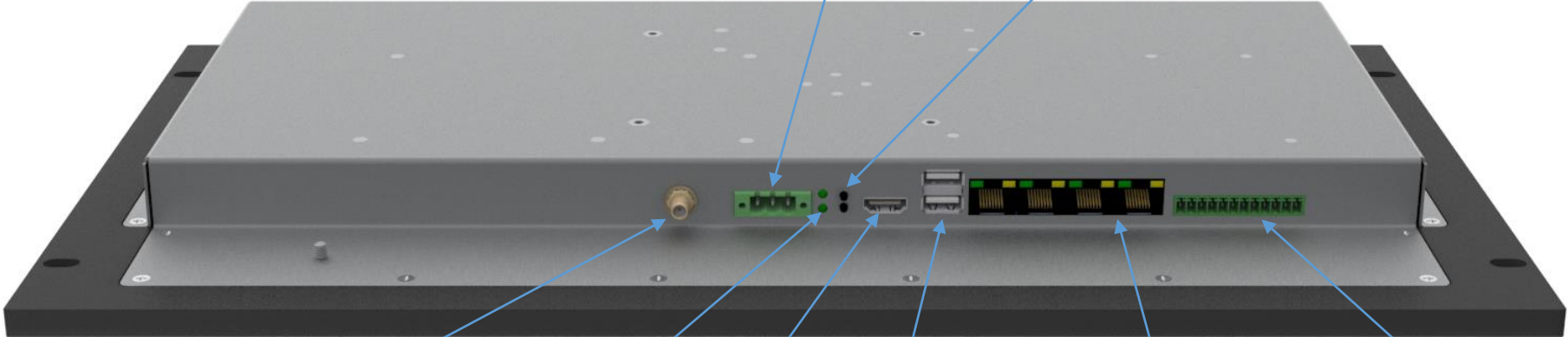
2X DISPLAY PORT

2X 1G ETHERNET

4X USB 2.0

POWER CONNECTOR (+ | CHASIS | -), mating connector: Phoenix PN# 1777992

POWER & RESET BUTTONS



WiFi POWER&HDD LED HDMI 2X USB 3.0 4X 10/100/1G LAN I/O INTERFACE

Cleartex, s.r.o.

Amperova 649

46312 Liberec

Czech republic

info@clear-tex.com